

Layered Coffee Table



info@konektstudio.com
+1 (917) 261-6470
@konektstudio.com

konekt

Meticulously hand-sculpted, convex layers of bronze and/or steel evoke the soft curves and distinct layers of tumbles stones shaped by the ocean. A center layer serves as a functional shelf, and can be made in a contrasting finish. *Made by hand in Pennsylvania.*

Layered Coffee Table

Dimensions

58"W x 38"D x 16"H

Custom dimensions available

Materials

bronze or steel

Finishes

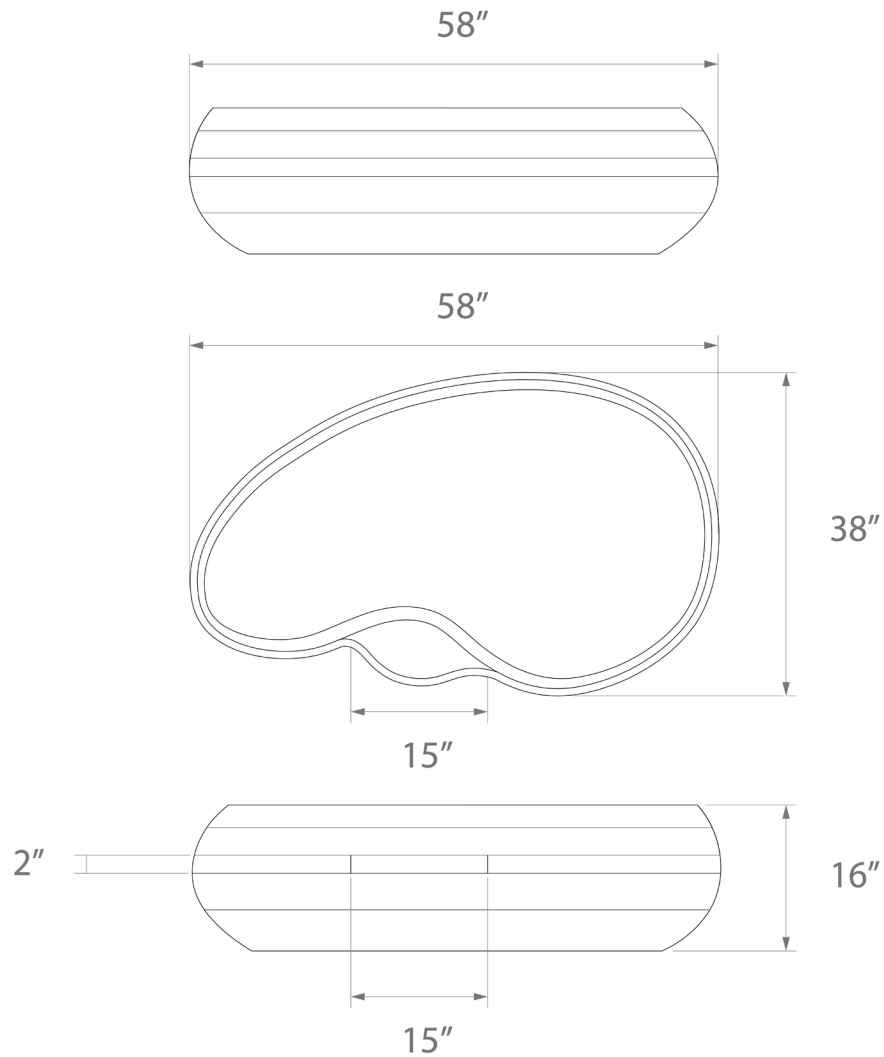
blackened steel, blackened steel with hand-patina bronze shelf, blackened steel with *polished bronze shelf, hand-patina bronze, or hand-patina bronze with *polished bronze shelf

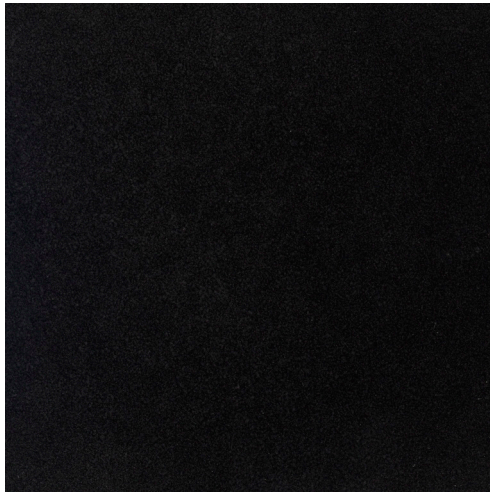
Lead time

14-18 weeks

*Polished bronze is left unlacquered as a live finish, in order to allow a rich, natural patina to develop over time.

Free form and hand-sculpted, each piece is slightly unique

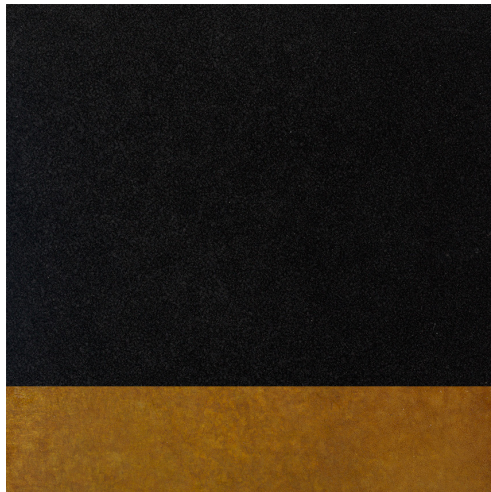




Blackened Steel



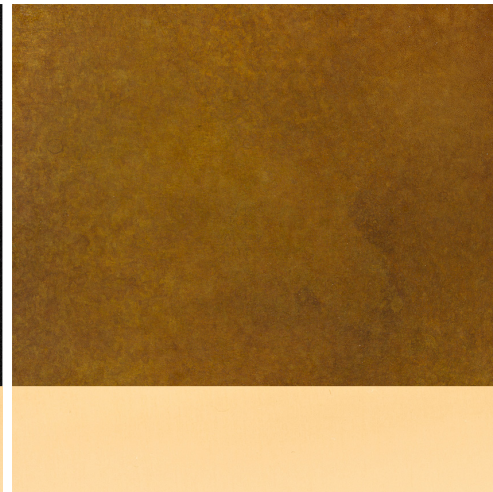
Hand-Patina Bronze



Blackened Steel with
Hand-Patina Bronze Shelf



Blackened Steel with
Polished Bronze Shelf



Hand-Patina Bronze with
Polished Bronze Shelf