



Displaying an exquisite blend of natural materials and textures, the Pyramid Cabinet showcases three-dimensional doors hand-wrapped in goatskin parchment, or finished in a cream high gloss lacquer, and subtly framed in brass. A recessed base gives the piece an ethereal appearance, as if it were floating. *Made by master cabinetmakers in Pennsylvania, the cabinet features a touch latch door and solid wood shelves.*

## Pyramid Cabinet - 1 Door

---

### Dimensions

30"L x 22 <sup>3</sup>/<sub>8</sub>"D x 34 <sup>1</sup>/<sub>4</sub>" H

Custom dimensions available

### Materials

Wood, brass, natural goatskin parchment  
or cream lacquer doors

### Wood

White oak, natural walnut, ebonized walnut, bleached walnut

### Metal finish

Satin brass, antique brass, oil-rubbed bronze, satin black,  
satin nickel, antique nickel, polished nickel

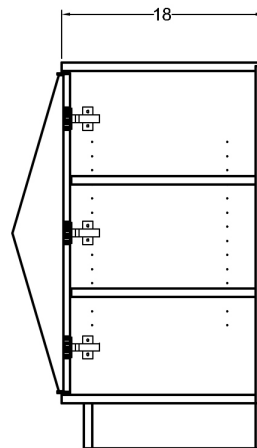
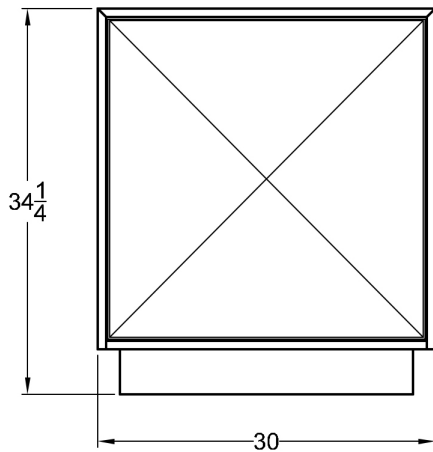
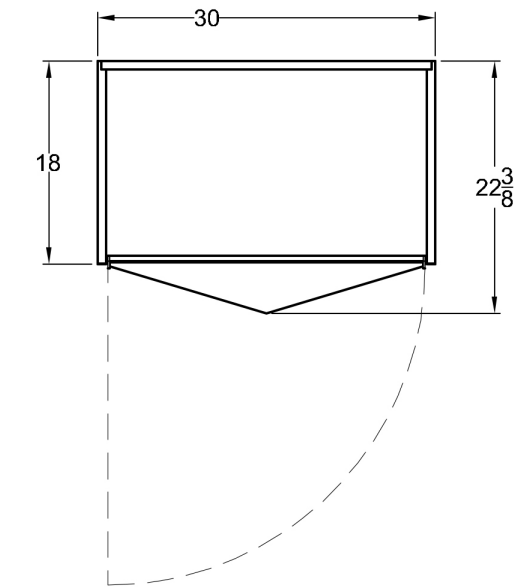
### Interior

Solid wood adjustable shelves; inquire for drawer options

### Note

Cabinet must be bolted to wall or floor

*Inquire for custom wood finish or lacquer color*



## Pyramid Cabinet - Two Door

---

### Dimensions

43 1/2" L x 21 1/4" D x 34 1/4" H

Custom dimensions available

### Materials

Wood, brass, natural goatskin parchment  
or cream lacquer doors

### Wood

White oak, natural walnut, ebonized walnut, bleached walnut

### Metal finish

Satin brass, antique brass, oil-rubbed bronze, satin black,  
satin nickel, antique nickel, polished nickel

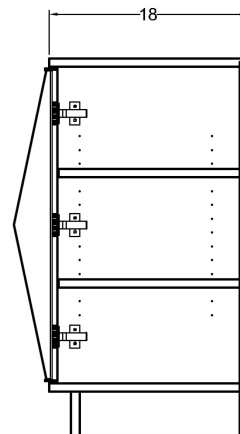
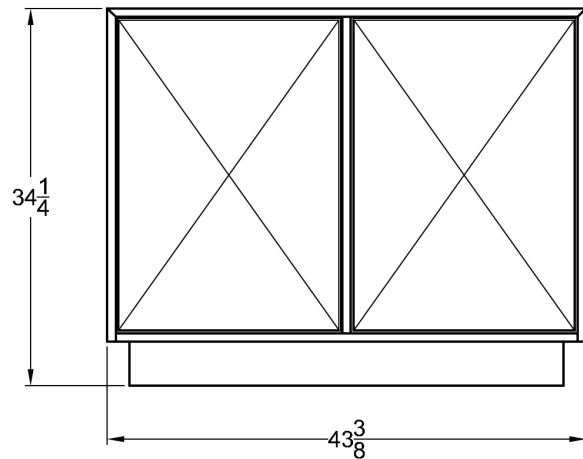
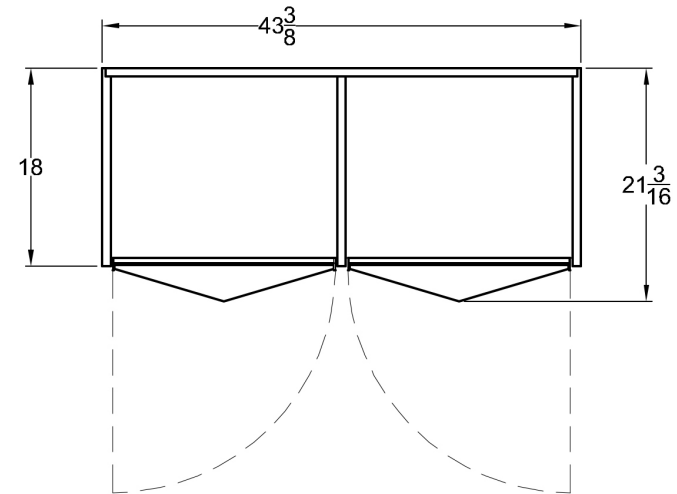
### Interior

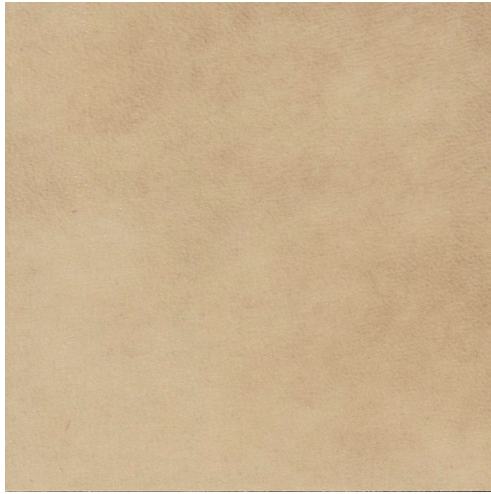
Solid wood adjustable shelves; inquire for drawer options

### Note

Cabinet must be bolted to wall or floor

*Inquire for custom wood finish or lacquer color*

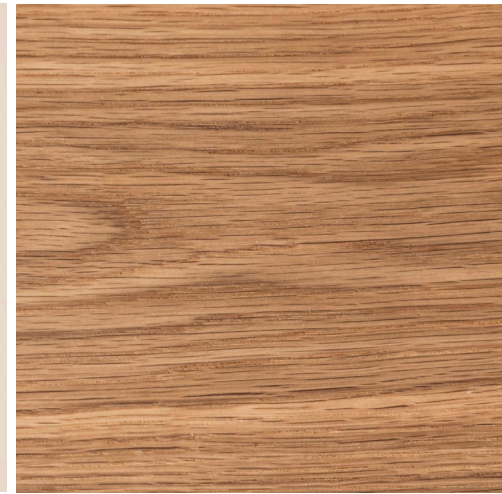




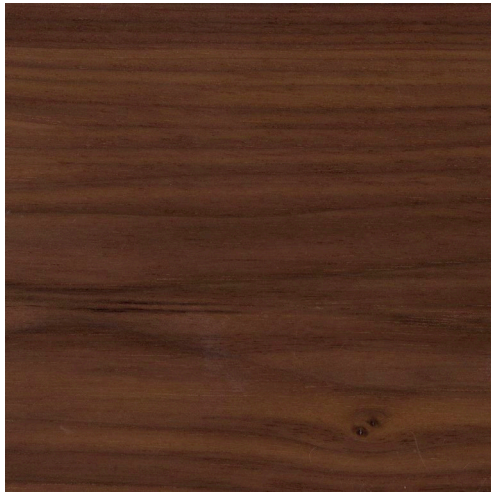
Natural Goatskin Parchment



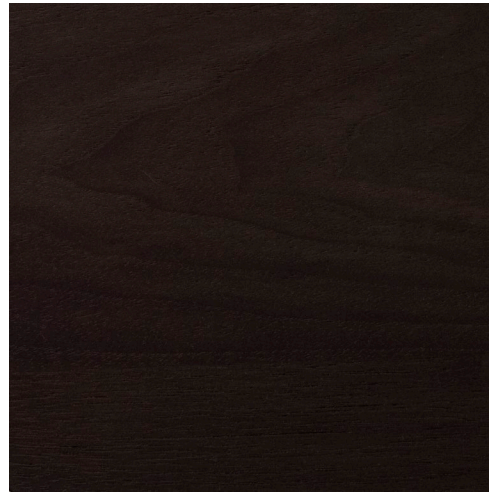
Cream High Gloss Lacquer



White Oak



Natural Walnut



Ebonized Walnut

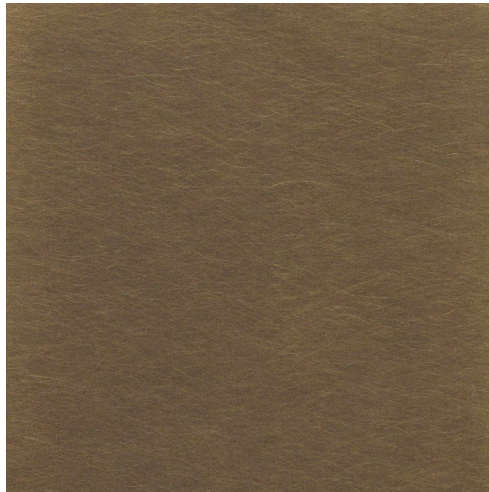


Bleached Walnut

*Note: goatskin parchment and wood are both natural materials, and are subject to variation in coloring, markings and grain. Each goatskin hide is completely unique, as is each board of wood, and variation should be expected.*



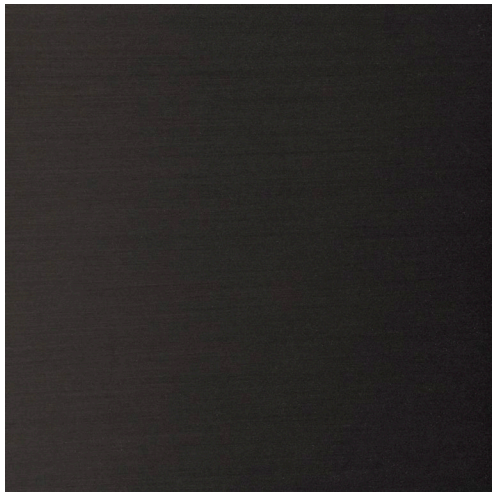
Satin Brass



Antique Brass



Oil-Rubbed Bronze



Satin Black



Satin Nickel



Antique Nickel



Polished Nickel