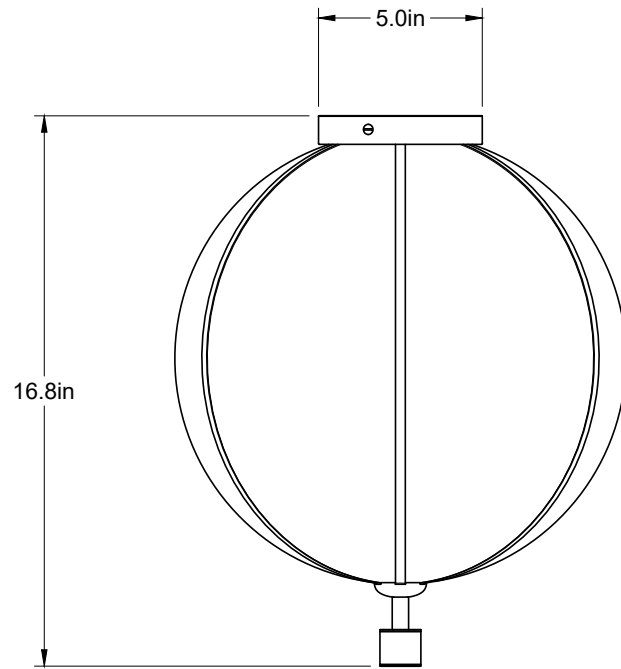


The Rib Flush Mount is available in various shapes and sizes. Each glass pendant is blown in Italy and delicately framed by thin brass ribs. A cylindrical brass finial, with optional hand-wrapped leather or suede, elongates the pendant and adds a finishing touch of refinement.

The collection continues Konekt's exploration of opposing characteristics — finding contrast and balance between strength and fragility, soft curves and sharp lines, adornment and moderation.

## Rib Flush Mount - Large Sphere

---



### Dimensions

13 ¾"D x 16 ¾"H

### Materials

Glass, brass and optional hand-wrapped leather or suede

### Finishes

Satin brass, antique brass, oil-rubbed bronze, satin black, satin nickel, antique nickel or polished nickel

### Leather color options

Maroon, tan, cream, fumo, mocha, or dark olive

### Suede color options

Walnut, beige, or pearl

### Lead time

8-12 weeks

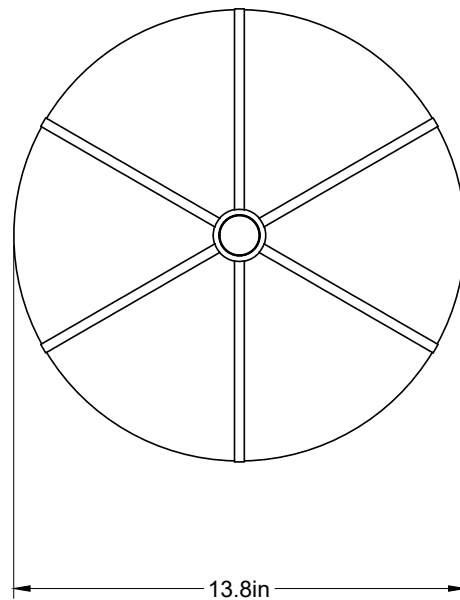
### Lamping

E26 | 120V | 60W

3W dimmable LED bulb included

120V; 210 lumens; 2200k color temperature

UL listed



info@konektstudio.com

+1 (917) 261-6470

@konektstudio.com

konekt



Satin Brass



Antique Brass



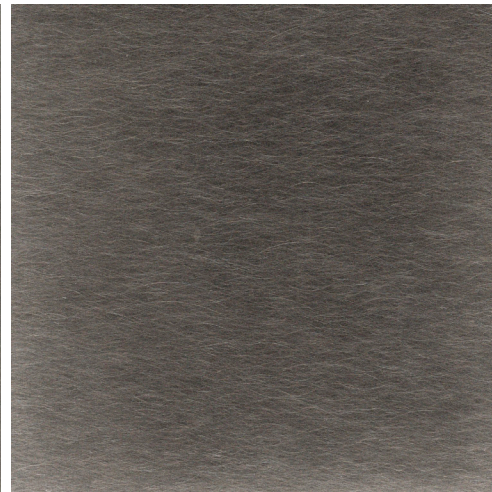
Oil-Rubbed Bronze



Satin Black



Satin Nickel



Antique Nickel



Polished Nickel



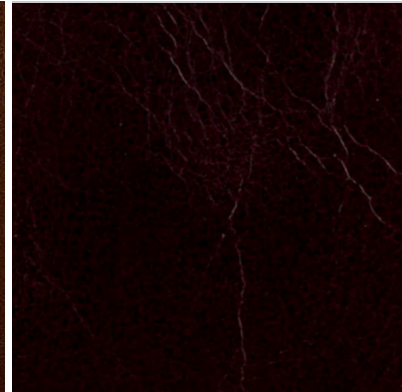
Beige Suede



Pearl Suede



Walnut Suede



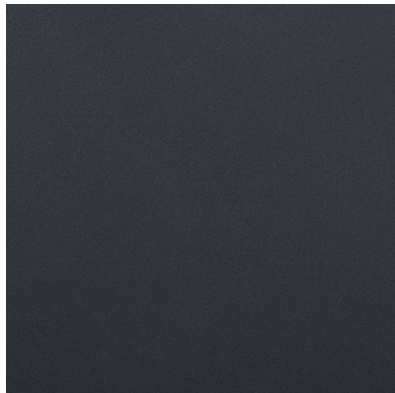
Maroon Leather (distressed)



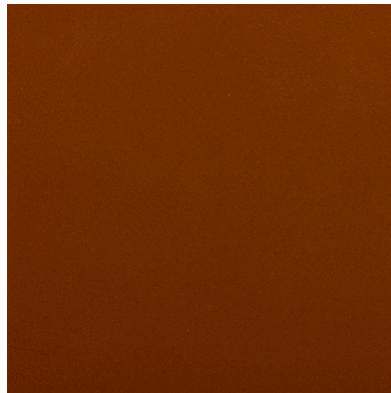
Mocha Leather



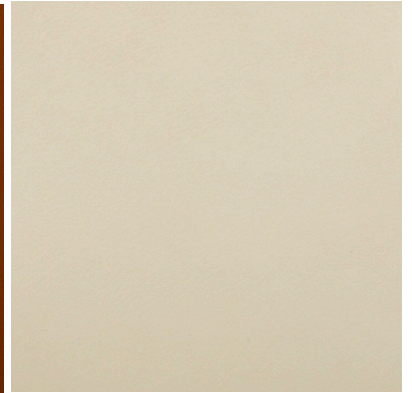
Dark Olive Leather



Fumo Leather



Tan Leather



Cream Leather