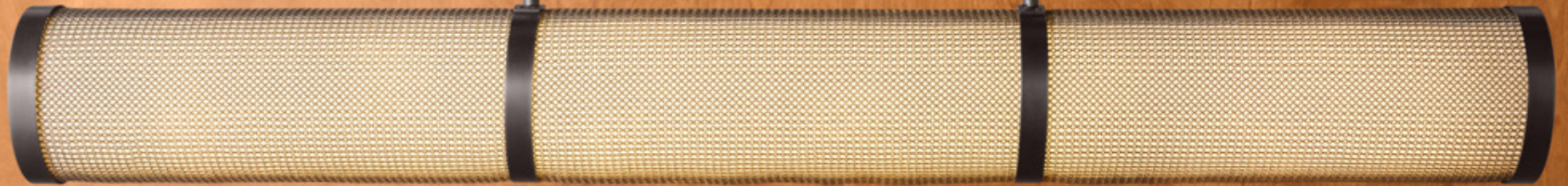


Armor Linear



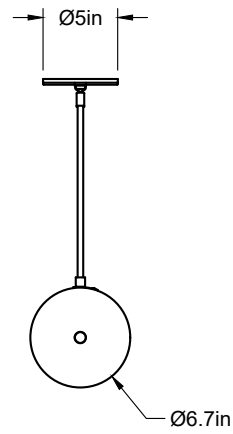
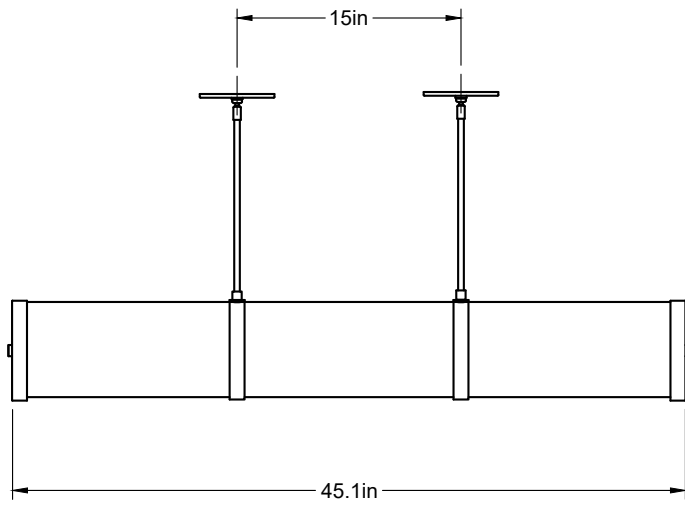
info@konektstudio.com
+1 (917) 261-6470
@konektstudio.com

konekt

The Armor Linear features a linen shade cloaked with chainmail, creating a layered interplay of texture and diffused light.

Drawing inspiration from the intricate use of chainmail in Medieval armor, the Armor Collection reinterprets the material by draping it over a delicate, refined base. The unexpected pairing achieves a harmonious balance of strength and fragility.

45"L



Armor Linear - Small (6.75"D)

Dimensions

6.75"D x 45"L or 56.5"L

Materials

Linen shade, brass, stainless steel chainmail

Finishes

Satin brass, antique brass, oil-rubbed bronze, satin black, satin nickel, antique nickel

Lamping

120V | S14S base

Bulb included

13W dimmable LED bulb(s) included

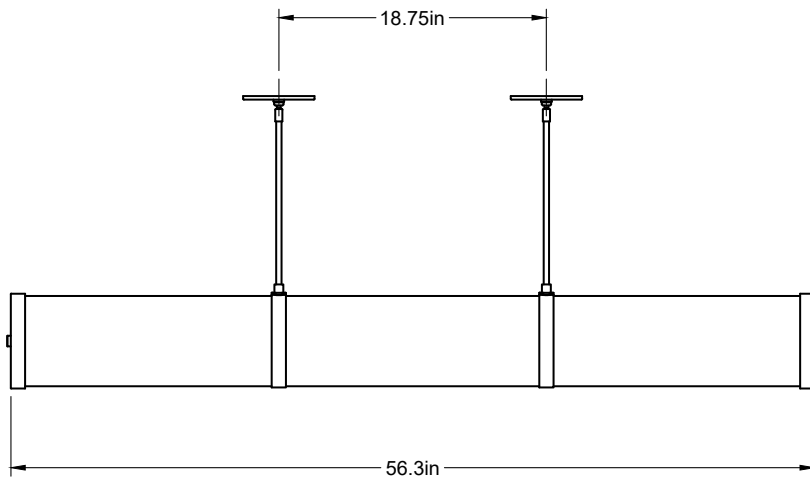
120V; 1000 lumens; 2700k color temperature

*Note: fixture is designed for use exclusively with provided bulbs

Lead time

10-14 weeks

56.5"L



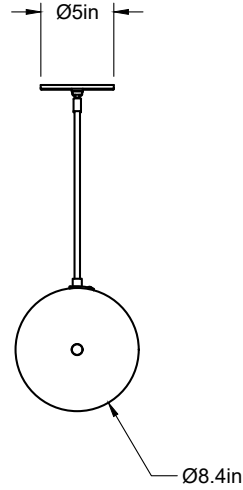
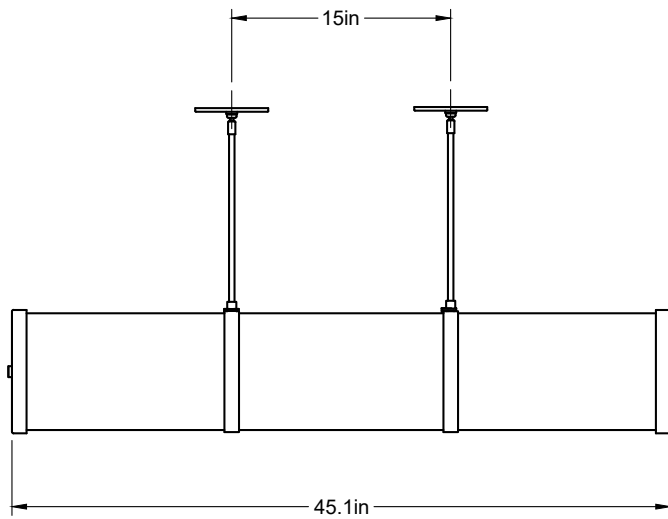
info@konektstudio.com

+1 (917) 261-6470

@konektstudio.com

konekt

45"L



Armor Linear - Large (8.5"D)

Dimensions

8.5"D x 45"L or 56.5"L

Materials

Linen shade, brass, stainless steel chainmail

Finishes

Satin brass, antique brass, oil-rubbed bronze, satin black, satin nickel, antique nickel

Lamping

120V | S14S base

Bulb included

13W dimmable LED bulb(s) included

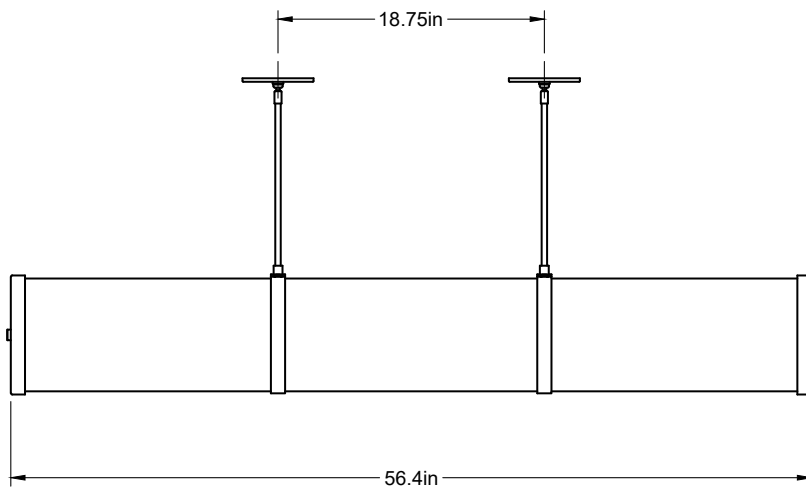
120V; 1000 lumens; 2700k color temperature

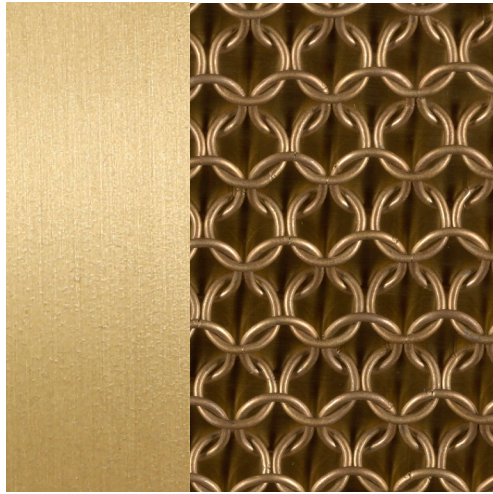
*Note: fixture is designed for use exclusively with provided bulbs

Lead time

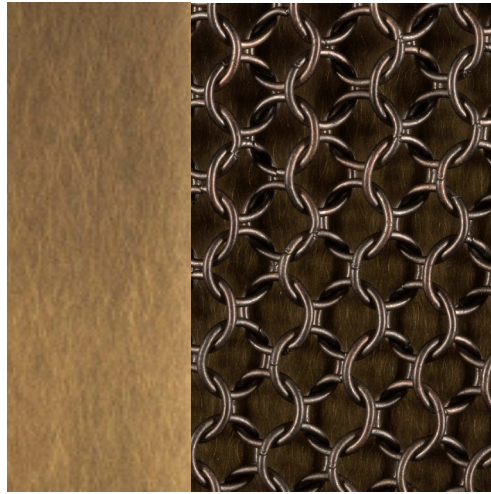
10-14 weeks

56.5"L

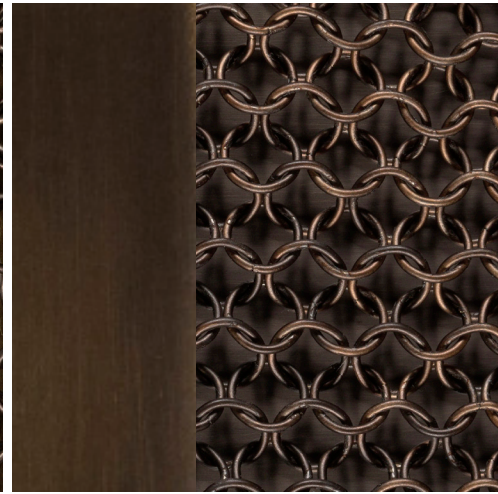




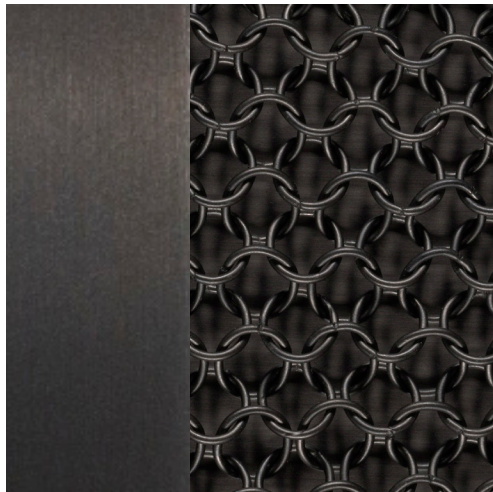
Satin Brass



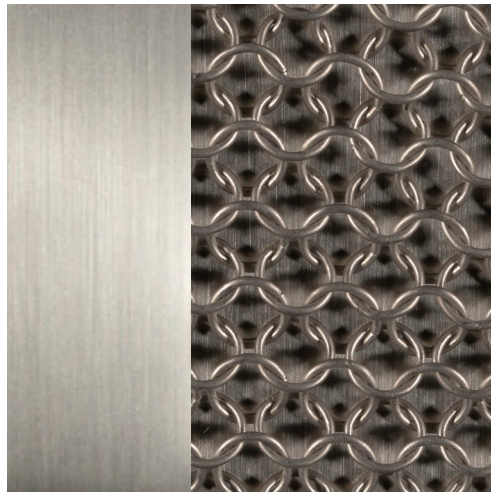
Antique Brass



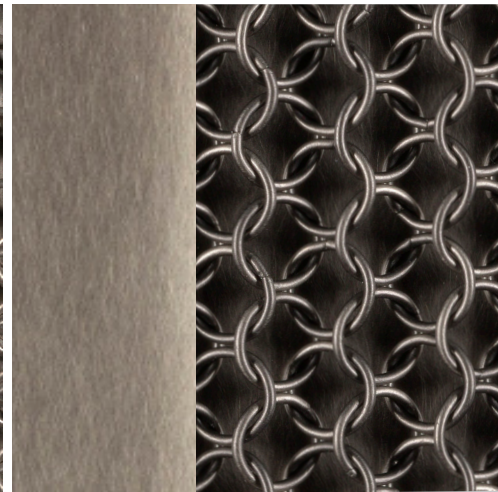
Oil-Rubbed Bronze



Satin Black



Satin Nickel



Antique Nickel